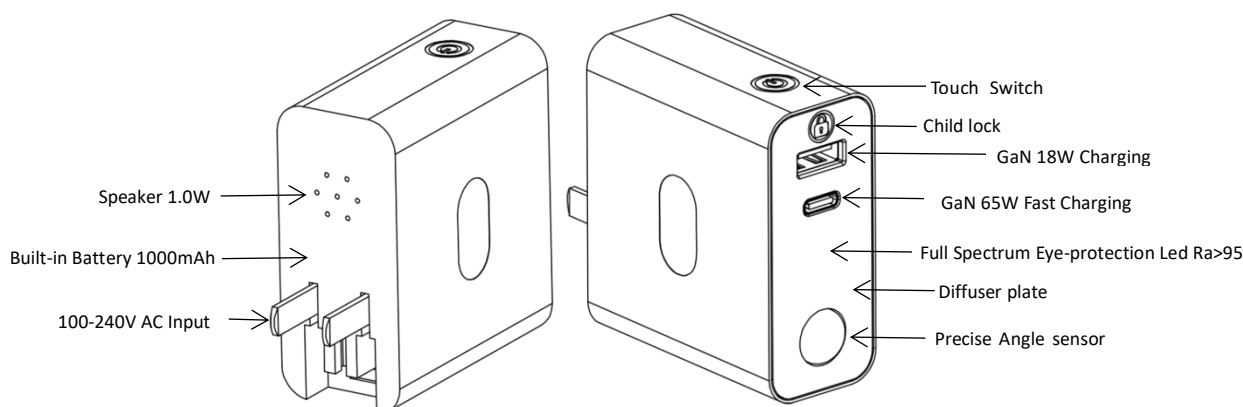


65W Fast Phone Charger With Bedside Sensor Lamp-Manual



1>Touch button cycle operation is as follows :

a> In the power-off state, short press the touch button to switch between the three modes, as follows:

- The First short press, always on mode: the light is always on. (can be used as a bedside lamp or flashlight)
- The Second short press is the sensor light mode: the light flashes twice to indicate that the sensor lamp is in effect. It does not light up during the day, lights up at night or when the light is dark, and turns off when someone leaves.
- Short press for the Third time to turn off the light: the light flashes once and turns off the lighting function, and then automatically enters the low power consumption state.

b> When the sensor light is always on, each long press realizes the functions of dimming (5lm-55lm) and adjusting color temperature (2700K~5500K). The step cycle is as follows:

- Press and hold the touch button for the First time to increase the brightness, up to 50lm.(dimming range 5-55lm)
- Press and hold the touch button for the Second time to reduce the brightness to a minimum of 5lm.
- Press and hold the touch button for the Third time to adjust the Kelvin to warm white 2700K.
- Press and hold the touch button for the Fourth time to adjust the kelvin to cool white 5500K.

2>The operation of the induction anti-theft alarm function is as follows:

-Quickly double-click the touch switch button for the first time and hear the voice prompt, the human body sensing alarm mode has been turned on. When switching to the human body sensing alarm mode for the first time, you need to wait for 30 seconds. In the sensing alarm state, when a person comes to the sensing area, the alarm sound will be played immediately. The alarm ring tone will last until 30 seconds after the person leaves. The automatic alarm ring tone operation is equally effective whether it is day or night.

-Quickly double-click the touch button for the second time and you will hear the voice prompt. At this time, the human body sensor alarm has been canceled, and the LED light operation function has taken effect.

3>Phone Fast Charging Function:

Input: AC 100V~240V

Output Power: Type-C is 65W Max., USB-A is 18W max.

Adapter output supports: 5V/3A, 9V/3A, 12V/3A, 12V/3A, 15V/3A, 20V/3.25A, supports PD3.0 and QC4+. GaN 65W Fast Charger!

Regardless of whether the charger has input or not, the smart sensor night light and sensor alarm functions can be operated because the charger has a built-in 1000 mAh lithium battery.

4>Built-in battery charging function:

When the built-in battery power is lower than 20%, the product automatically starts charging mode. At this time, the adapter needs to be connected to the 100-240VAC input, and the indicator light flashes during charging. When fully charged, the indicator light automatically turns off.

5>Child lock on and of

Press and hold the child lock for 4 seconds, then press and hold the touch switch at the same time for 4 seconds, and then release the child lock and touch switch at the same time. The child lock function is turned on and the touch button function is disabled.

If you want to turn off the child lock and use the touch switch function, press and hold the child lock for 4 seconds, then press and hold the touch switch for 4 seconds at the same time, and then release the child lock and touch switch at the same time. The child lock function is turned off and the touch button function is normal.

Charger Specification:

Input: AC 100~240V

Output: 5V/3A, 9V/3A, 12V/3A, 15V/3A, 20V3.25A.

Supports PD3.0 and QC4+. GaN 65W Fast Charger!

Standby Current: 0.33mA

Led Power: 1.0W

Lumen: 55Lm Max.

Flashlight duration at 70% lumen: About 4 hours

Kelvin Range: 2700K~5500K

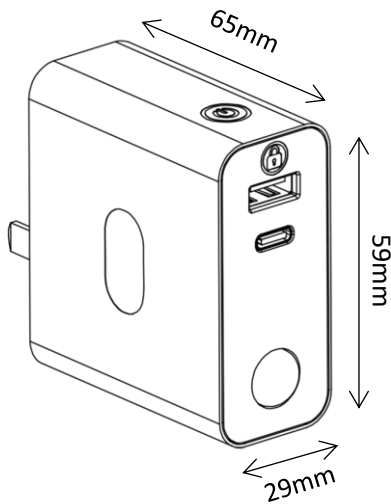
Built-in battery: 1000mAH/3.7V

Sensing distance: 5 meters

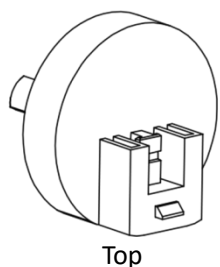
Sensing angle: 120° or 60°

Charger Size: 29*59*65mm

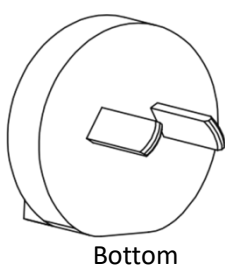
N.W.: 650g



Plug Selection as below:

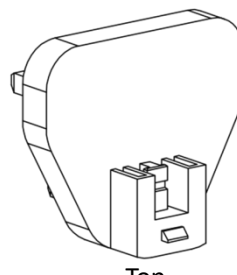


Top

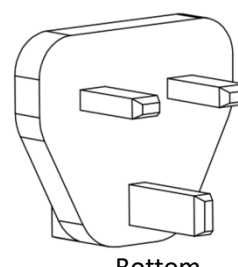


Bottom

AU Plug

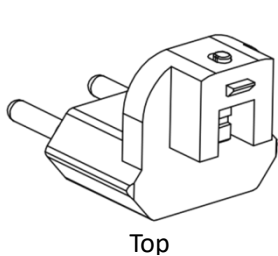


Top

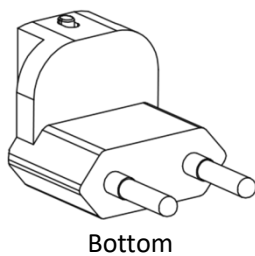


Bottom

UK Plug

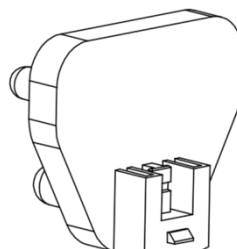


Top

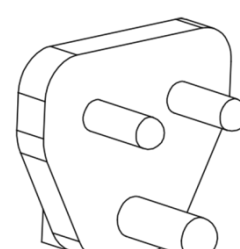


Bottom

EU Plug



Top



Bottom

South Africa & India